

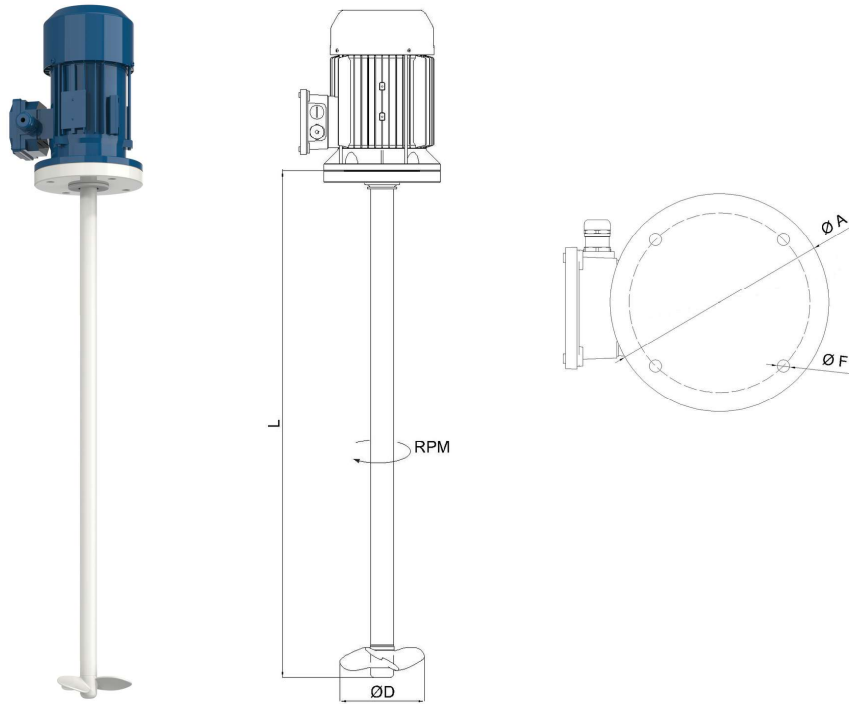


VERTICAL AGITATORS

FDH MIXER

POLYPROPYLENE AGITATORS

Fast - Marine Propeller - Polypropylene



PP

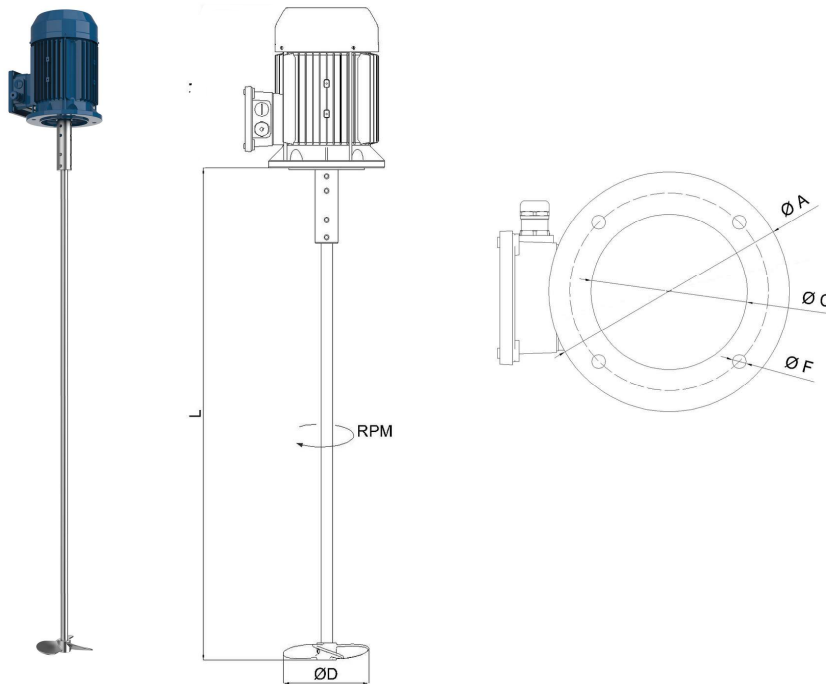
MODEL	MAX VOLUME	MOTOR	POWER kW	SPEED rpm	L mm	D mm	A mm	F mm
FDH.01091.P.070 / EV	150 Lts.	400V 50Hz 3ph IE2	0,18	1400	700	90	140	4 x 9
FDH.02111.P.085 / EV	250 Lts.	400V 50Hz 3ph IE2	0,25	1400	850	110	160	4 x 9
FDH.03131.P.095 / EV	500 Lts.	400V 50Hz 3ph IE2	0,37	1400	950	130	160	4 x 9
FDH.07141.P.100 / EV	1000 Lts.	400V 50Hz 3ph IE3	0,75	1400	1000	140	200	4 X 11
FDH.11141.P.120 / EV	1500 Lts.	400V 50Hz 3ph IE3	1,1	1400	1200	140	200	4 X 11
FDH.15161.P.120 / EV	2000 Lts.	400V 50Hz 3ph IE3	1,5	1400	1200	160	200	4 X 11
FDH.02136.P.085 / EV	120 Lts.	400V 50Hz 3ph IE2	0,25	900	850	130	160	4 x 9
FDH.11166.P.120 / EV	1500 Lts.	400V 50Hz 3ph IE2	1,1	900	1200	160	160	4 x 9
FDH.02111.P.085 / EMV	250 Lts.	230V 50Hz 1ph IE1	0,25	1400	850	110	160	4 x 9
FDH.03131.P.085 / EMV	500 Lts.	230V 50Hz 1ph IE1	0,37	1400	850	130	160	4 x 9
FDH.07141.P.100 / EMV	1000 Lts.	230V 50Hz 1ph IE1	0,75	1400	1000	140	200	4 X 11
FDH.11141.P.120 / EMV	1500 Lts.	230V 50Hz 1ph IE1	1,1	1400	1200	140	200	4 X 11
FDH.15161.P.120 / EMV	2000 Lts.	230V 50Hz 1ph IE1	1,5	1400	1200	160	200	4 X 11

Lengths shorter than the max. length values available on demand.

FDH MIXER

STAINLESS STEEL AGITATORS

Fast - Marine Propeller - SS AISI 316L



SS 316L

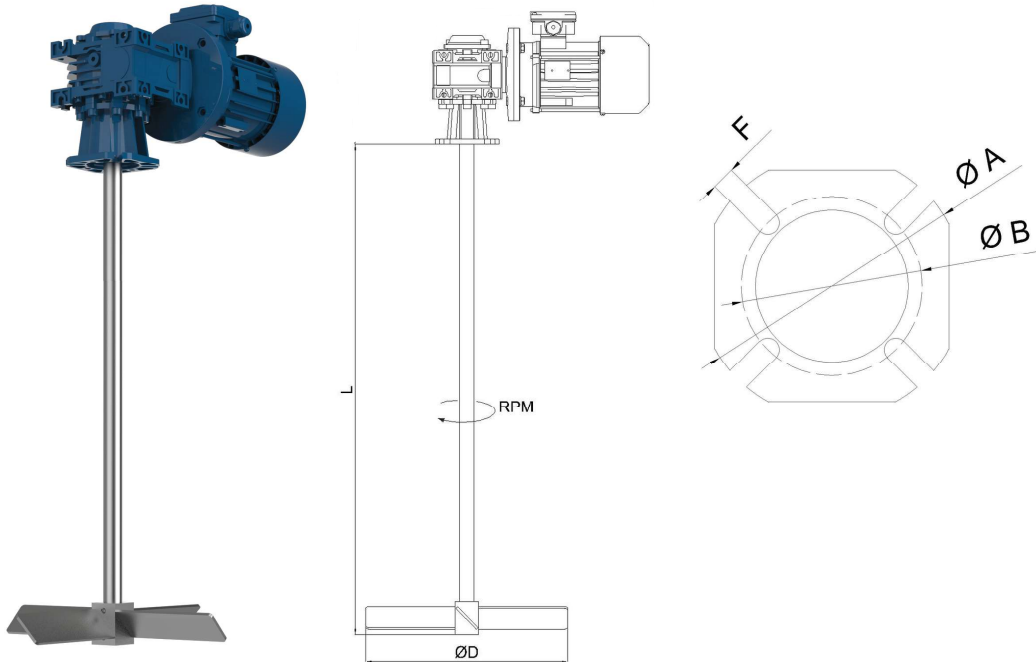
MODEL	MAX VOLUME	MOTOR	POWER kW	SPEED rpm	L mm	D mm	A mm	F mm
FDH.01091.S.060 / V	150 Lts.	400V 50Hz 3ph IE2	0,18	1400	600	115	140	4 x 9
FDH.02111.S.080 / V	250 Lts.	400V 50Hz 3ph IE2	0,25	1400	800	130	160	4 x 9
FDH.03131.S.080 / V	500 Lts.	400V 50Hz 3ph IE2	0,37	1400	800	130	160	4 x 9
FDH.07141.S.100 / V	1000 Lts.	400V 50Hz 3ph IE3	0,75	1400	1000	165	200	4 X 11
FDH.11141.S.120 / V	1500 Lts.	400V 50Hz 3ph IE3	1,1	1400	1200	165	200	4 X 11
FDH.15161.S.120 / V	2000 Lts.	400V 50Hz 3ph IE3	1,5	1400	1200	165	200	4 X 11
FDH.02136.S.080 / V	120 Lts.	400V 50Hz 3ph IE2	0,25	900	800	130	160	4 x 9
FDH.11166.S.120 / V	1500 Lts.	400V 50Hz 3ph IE2	1,1	900	1200	130	160	4 x 9
FDH.02111.S.080 / MV	250 Lts.	230V 50Hz 1ph IE1	0,25	1400	800	130	160	4 x 9
FDH.03131.S.080 / MV	500 Lts.	230V 50Hz 1ph IE1	0,37	1400	800	130	160	4 x 9
FDH.07141.S.100 / MV	1000 Lts.	230V 50Hz 1ph IE1	0,75	1400	1000	165	200	4 X 11
FDH.11141.S.120 / MV	1500 Lts.	230V 50Hz 1ph IE1	1,1	1400	1200	165	200	4 X 11
FDH.15161.S.120 / MV	2000 Lts.	230V 50Hz 1ph IE1	1,5	1400	1200	165	200	4 X 11

Lengths shorter than the max. length values available on demand.

FVP MIXER

STAINLESS STEEL AGITATORS

Slow - 4 Pitched Blade Turbine 45° - SS AISI 316L



SS 316L

MODEL	MAX VOLUME	MOTOR	POWER kW	SPEED rpm	L mm	D mm	A mm	F mm
FVP.01022.S.080 / V	250 Lts.	400V 50Hz 3ph IE2	0,18	140	800	200	110	4 x 9
FVP.02031.S.130 / V	1000 Lts.	400V 50Hz 3ph IE2	0,25	140	1300	300	110	4 x 9
FVP.02032.S.130 / V	1500 Lts.	400V 50Hz 3ph IE2	0,25	140	1300	350	125	4 x 9
FVP.03031.S.130 / V	2000 Lts.	400V 50Hz 3ph IE2	0,37	200	1300	350	125	4 x 9
FVP.05031.S.130 / V	3000 Lts.	400V 50Hz 3ph IE2	0,55	200	1300	350	125	4 x 9
FVP.07051.S.150 / V	4000 Lts.	400V 50Hz 3ph IE3	0,75	140	1500	500	125	4 X 11
FVP.01022.S.080 / MV	250 Lts.	230V 50Hz 1ph IE1	0,18	140	800	200	110	4 x 9
FVP.02031.S.130 / MV	1000 Lts.	230V 50Hz 1ph IE1	0,25	140	1300	300	110	4 x 9
FVP.02032.S.130 / MV	1500 Lts.	230V 50Hz 1ph IE1	0,25	140	1300	350	125	4 x 9
FVP.03031.S.130 / MV	2000 Lts.	230V 50Hz 1ph IE1	0,37	200	1300	350	125	4 x 9
FVP.05031.S.130 / MV	3000 Lts.	230V 50Hz 1ph IE1	0,55	200	1300	350	125	4 x 9

Lengths shorter than the max. length values available on demand.